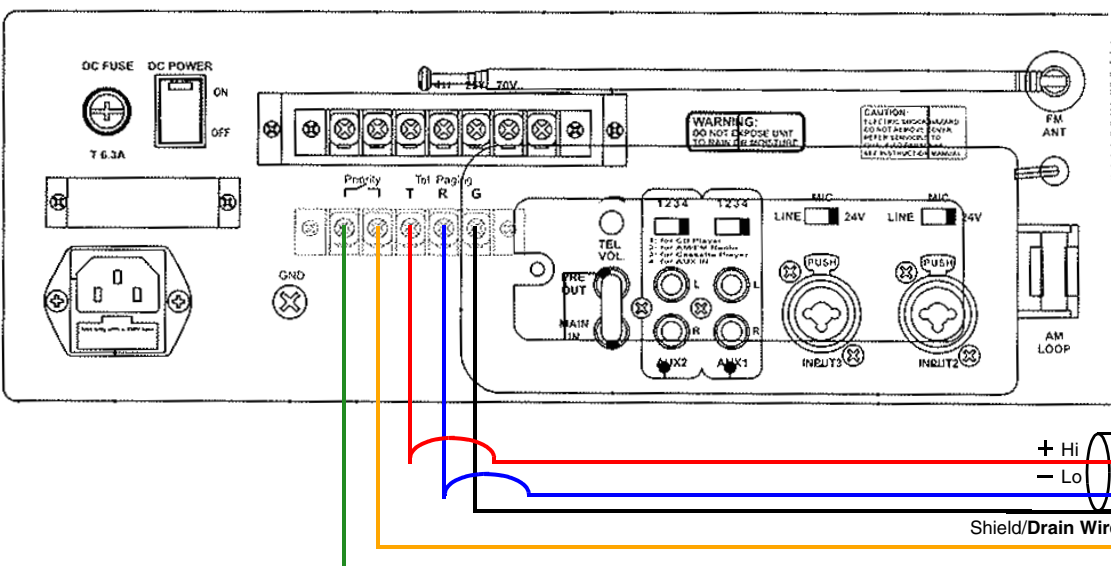
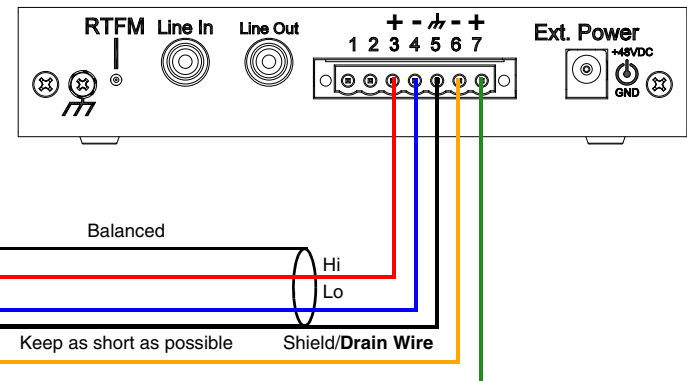


Caution
Equipment Hazard: All equipment should be powered down prior to making wiring connections and changing switch positions.

Norelco TPA40 Amplifier



SIP Paging Server Connections



Page Port Connections

Pin	Description
1	Fault Sense Input (Common).
2	Fault Sense Input (Sense).
3	Positive 600-Ohm Audio Output ^a
4	Negative 600-Ohm Audio Output ^a
5	Audio Ground Reference.
6	Relay Contact - Common ^b
7	Relay Contact - Normally Open ^b

Notes

If using background music or another audio source from the amp, the priority connection will need to be used to signify the higher priority audio. Make sure to enable the **Enable Relay on Local Audio** setting located on the **Device** tab of the device's web interface.

2-conductor, shielded speaker wire is recommended.

a. The 600-Ohm audio output of the page port is also suited for interfaces with lower input impedances.

b. 1 Amp at 30 VDC for continuous loads.